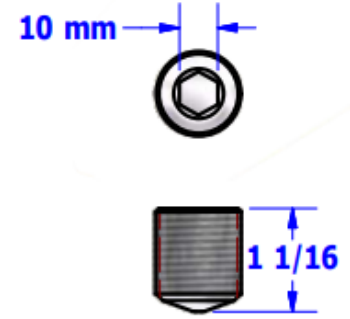
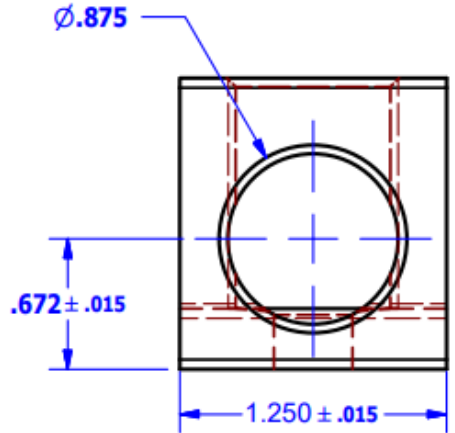
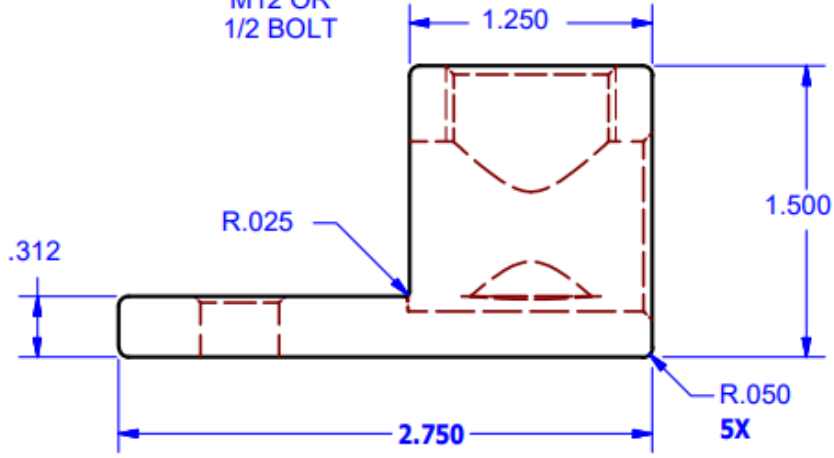
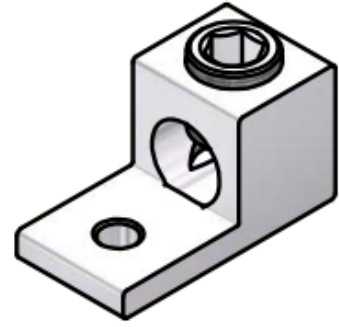


7/8-14 UNF - 2B
TAP
INSTALL (1)
14141-M HEX
SKT SCREW
10mm SCREW



PARTS MARKED:

- S500N
- 500 KCMIL-4
- CU7AL
- IHI LOGO
- UL LOGO
- CSA LOGO

NARROW BODY 75°C RATED

FLEX WIRE 350 KCMIL - 4 AWG

NOT FOR USE WHERE FAILURE CREATES A HAZARD TO HUMAN HEALTH OR SAFETY. ALL PRODUCTS ARE SUBJECT TO THIS FULL DISCLAIMER: <http://www.ihconnectors.com/disclaimer.html>

FOR FURTHER INFORMATION ON THE PROPER USE OF THIS PRODUCT IN SPECIFIC APPLICATIONS SEE <http://www.ihconnectors.com/GuideToFlexFlexibleFineStrandedWireCableMechanicalLugsFAQ.html> <http://www.ihconnectors.com/Technical-Data-Installation.htm>

THIS DRAWING AND DESIGN ARE THE PROPERTY OF INTERNATIONAL HYDRAULICS, INC., CLEVELAND, OHIO, AND MAY NOT BE DUPLICATED, USED FOR THE BASIS OF DESIGN OR MANUFACTURE WITHOUT THE WRITTEN PERMISSION OF INTERNATIONAL HYDRAULICS, INC., CLEVELAND, OHIO.		INTERNATIONAL HYDRAULICS, INC.		
GENERAL TOLERANCES ±.015 (±0,038)		TITLE: NARROW BODY LUG S500-12.8-32-M		
MATERIAL: Al. X600	SIZE: A	DRAWN BY: DJH	DWG NO.:	REV:
FINISH: TIN PLATE ON AL	DATE: 6/5/2015	S500-12.8-32-M		
		IHI CONNECTORS		