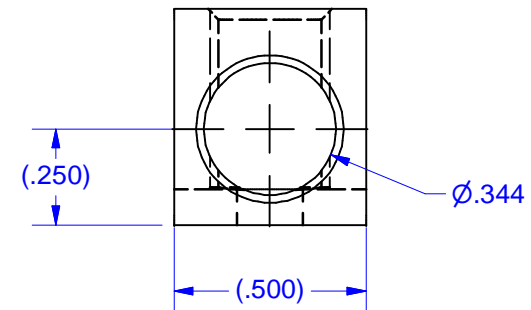
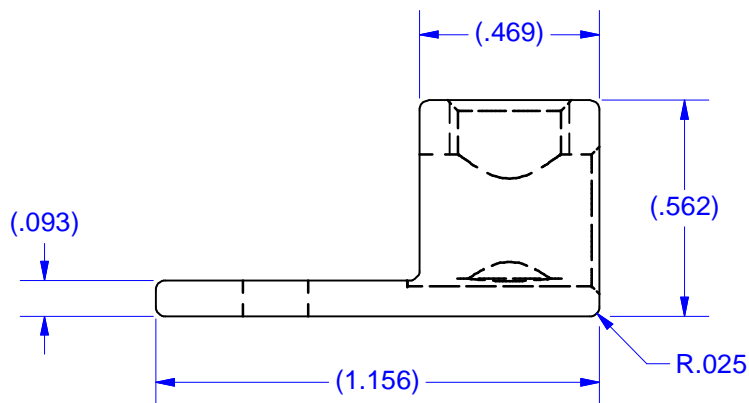


SCREW #
12786HEX/13627
(STEEL)



FLEX WIRE 4-12 AWG,
4-16 AWG WITH FERRULE

MARKING
S2
IHI
2-14
CU9AL
UL LOGO
CSA LOGO

NOT FOR USE WHERE FAILURE CREATES A HAZARD TO HUMAN HEALTH OR SAFETY. ALL PRODUCTS ARE SUBJECT TO THIS FULL DISCLAIMER: <http://www.ihconnectors.com/disclaimer.html>

FOR FURTHER INFORMATION ON THE PROPER USE OF THIS PRODUCT IN SPECIFIC APPLICATIONS SEE <http://www.ihconnectors.com/GuideToFlexFlexibleFineStrandedWireCableMechanicalLugsFAQ.html>
<http://www.ihconnectors.com/Technical-Data-Installation.htm>



Expanded wire range with use of ferrules.
TORK KRIMP®, self crimping of standard UL Listed ferrules protected by PATENT No.10630005.
PATENT: www.ihconnectors.com/patent.html
For full instructions: <https://lugsdirect.com/PDF Documents/IHI Agency Labels/S2-AGENCY-LABEL.pdf>

THIS DRAWING AND DESIGN ARE THE PROPERTY OF INTERNATIONAL HYDRAULICS, INC., CLEVELAND, OHIO, AND MAY NOT BE DUPLICATED, USED FOR THE BASIS OF DESIGN OR MANUFACTURE WITHOUT THE WRITTEN PERMISSION OF INTERNATIONAL HYDRAULICS, INC., CLEVELAND, OHIO.		INTERNATIONAL HYDRAULICS, INC.	
GENERAL TOLERANCES ±.015 (±0.038)		TITLE: S2-171-HEX CONNECTOR	
MATERIAL: 6061-T6 (EXT1011)	SIZE:	DRAWN BY: TDS	DWG NO.: S2-171-HEX-(SALES)
FINISH: TIN PLATE EMS	DATE: 12/11/08	REV: THIS IS A CAD DRAWING, DO NOT MANUALLY REVISE	