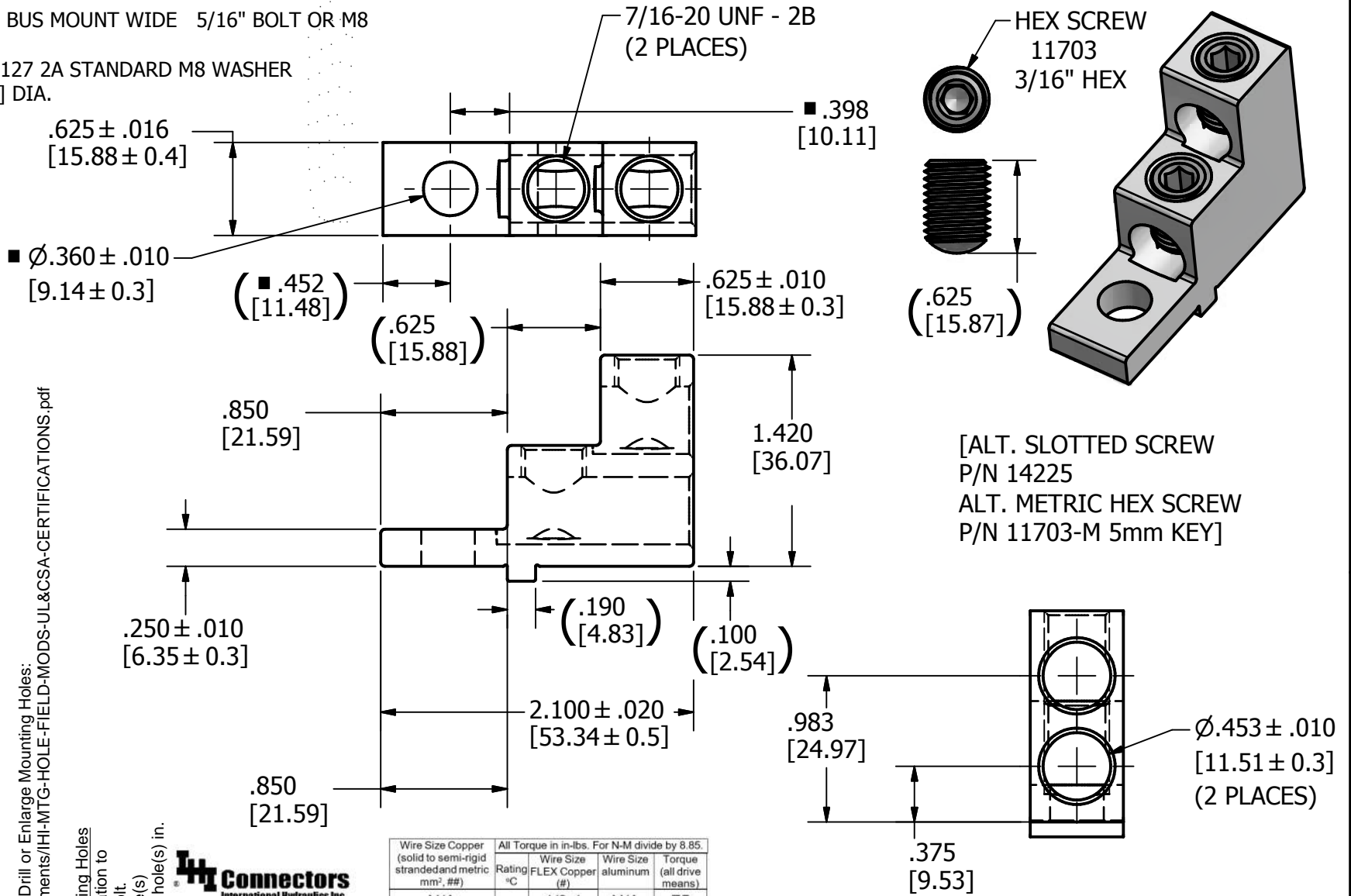


FOR ABB SWITCH BUS MOUNT WIDE 5/16" BOLT OR M8 BOLT.
 USE METRIC DIN 127 2A STANDARD M8 WASHER TYP .625" [16mm] DIA.

Part marked:
 UL Logo
 CSA Logo
 IHI
 2S2/0
 2/0-14
 CU9AL



[ALT. SLOTTED SCREW
 P/N 14225
 ALT. METRIC HEX SCREW
 P/N 11703-M 5mm KEY]

NOT FOR USE WHERE FAILURE CREATES A HAZARD TO HUMAN HEALTH OR SAFETY.
 ALL PRODUCTS ARE SUBJECT TO THIS FULL DISCLAIMER:
<http://www.ihiconnectors.com/disclaimer.html>

FOR FURTHER INFORMATION ON THE PROPER USE OF THIS PRODUCT IN SPECIFIC APPLICATIONS SEE

<http://www.ihiconnectors.com/GuideToFlexibleFineStrandedWireCableMechanicalLugsFAQ.html>

<http://www.ihiconnectors.com/Technical-Data-Installation.htm>

IHI UL/CSA Installation Guide to Drill or Enlarge Mounting Holes:
https://lugsdirect.com/PDF_Documents/IHI-MTG-HOLE-FIELD-MODS-UL&CSA-CERTIFICATIONS.pdf

- Cat. No. 2S2/0 Style No. 5
- Drill, Enlarge, or Modify Mounting Holes
 - UL/CSA Files allow field modification to
 - 1) Increase hole(s) dia. to 7/16 bolt.
 - 2) Move location of mounting hole(s)
 - 3) If buying blank lug, put custom hole(s) in.



Pressure Terminal
 Connectors
 NRTL Cat. No.
2S2/0

2/0-14 CU9AL

| Wire Size Copper (solid to semi-rigid stranded and metric mm ² , #) | All Torque in in.-lbs. For N-M divide by 8.85. | | | |
|--|--|---------------------------|------------------------|--------------------------|
| | Rating | Wire Size FLEX Copper (#) | Wire Size aluminum (#) | Torque (all drive means) |
| N/A | 90 | 1/0-1 | N/A | 75 |
| N/A | | 1-4 | N/A | 55 |
| 2/0-3 | | 4-8 | 2/0-3 | 50 |
| 4-6 | | 8-10 | 4-6 | 45 |
| 8 | | 10-14 | 8 | 40 |
| 10-14 | | N/A | 10-12 | 35 |

(#) FLEX - covers stranding classes within G, H, I/DLO, Metric class 5 and K/MTW. (#) mm² sizes within AWG/kcmil ranges are included.
 PARALLELING: Rated for PAIRS of wires.

| | | | |
|--|-------------------|--------------------------------|---|
| THIS DRAWING AND DESIGN ARE THE PROPERTY OF INTERNATIONAL HYDRAULICS, INC., CLEVELAND, OHIO, AND MAY NOT BE DUPLICATED, USED FOR THE BASIS OF DESIGN OR MANUFACTURE WITHOUT THE WRITTEN PERMISSION OF INTERNATIONAL HYDRAULICS, INC., CLEVELAND, OHIO. | | INTERNATIONAL HYDRAULICS, INC. | |
| GENERAL TOLERANCES ±.015 (±0.038) | | TITLE: DUAL S 2/0-14 LUG | |
| MATERIAL: 6061-T6 X1075TP-STK2 | | 2S2-0-TP-STK2-36-40-HEX | |
| FINISH: TIN PLATED | SIZE: A | DRAWN BY: TDS | DWG NO.: 2S2-0-TP-STK2-36-40-HEX (SALES) |
| | DATE: 10/26/20 | | REV: 1 |
| IHI CONNECTORS | | | |